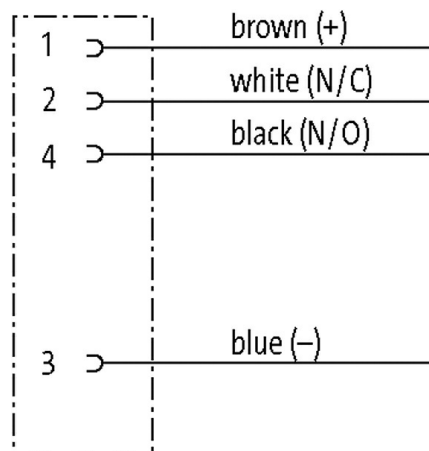
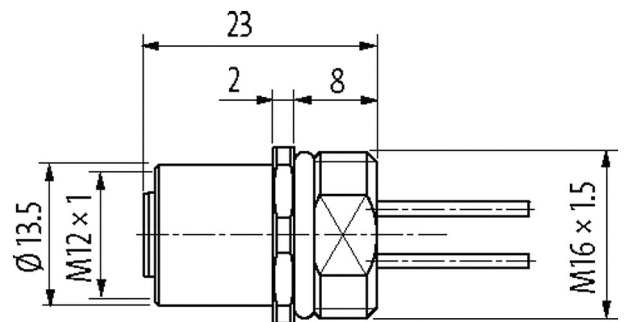


M12 FEMALE FLANGE PLUG A CODED FRONT MOUNT

PP-wires 4X0.34 0.5m

Flange female
M12, 4-pole
Front mounting
with multi-strand wire

Illustration

Product may differ from Image

Approvals

**Form**

Form 13541

Cables

Cable number 971

No./diameter of wires 4 x 0.34 mm²

Wire isolation PUR

Outer Ø 1.3 mm ±5%

Bend radius (fixed) 5 x outer Ø

Temperature range (fixed) -40...+90 °C

Temperature range (mobile) -25...+90 °C

Technical Data

Operating voltage max. 250 V AC/DC

Rated surge voltage 2.5 kV

Operating current per contact max. 4 A

No. of poles 4

Material group IEC 60664-1, category I

Coding A-coded

LED display no

Locking of ports Screw thread (M12x1 mm) recommended torque 0.6 Nm, self-securing

Compression gland M12 (SW14)

Protection IP67 inserted and tightened (EN 60529)

Protection NEMA 3, 4, 6P (UL 50E)

Material Zinc die casting, brass-plated

Locking material Zinc die casting, brass-plated

suitable for corrugated tube (internal Ø) without

General data

Standards DIN EN 61076-2-101 (M12)

Material (contact) Copper alloy

Material (contact surface) Au

Material (gasket) FKM

Pollution Degree 3

Temperature range -25...+85 °C

Commercial data

country of origin DE

customs tariff number 85444290

EAN 4048879294713

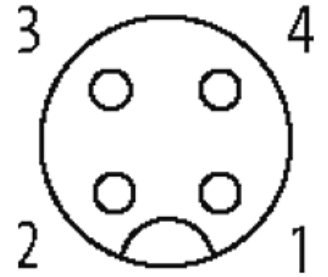
eClass 27279220

Packaging unit 1

Sketch

stay connected

Female



Product may differ from Image